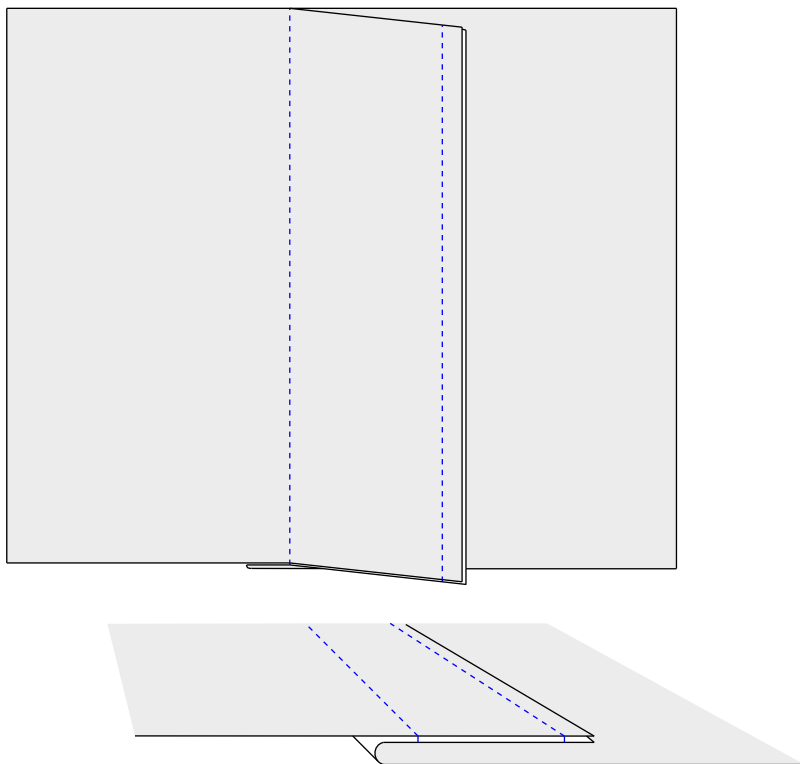
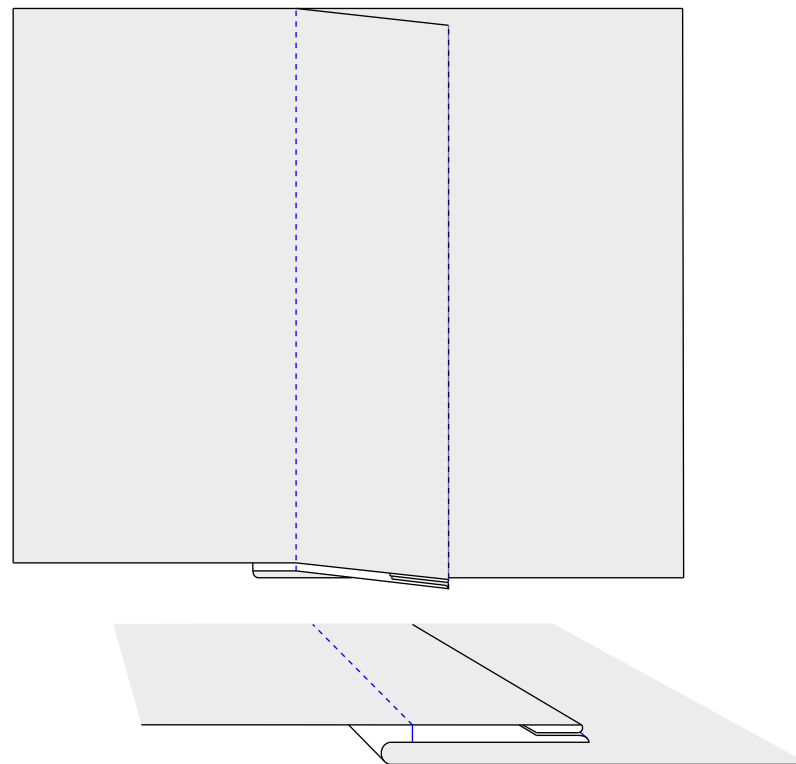


## Two types of backstitching



Nidonui : 二度縫い・にどぬい

First, sew 1 cm seam allowance, then sew 4 mm from the fabric edge.  
This refers to sewing the backstitch twice.



Fukuro-nui : 袋縫い・ふくろぬい

First, sew 4 mm from the fabric edge with the front sides faces.  
Then, open seam and turn the fabric, the wrong sides faces.  
Finally, sew 1 cm with a seam allowance.

